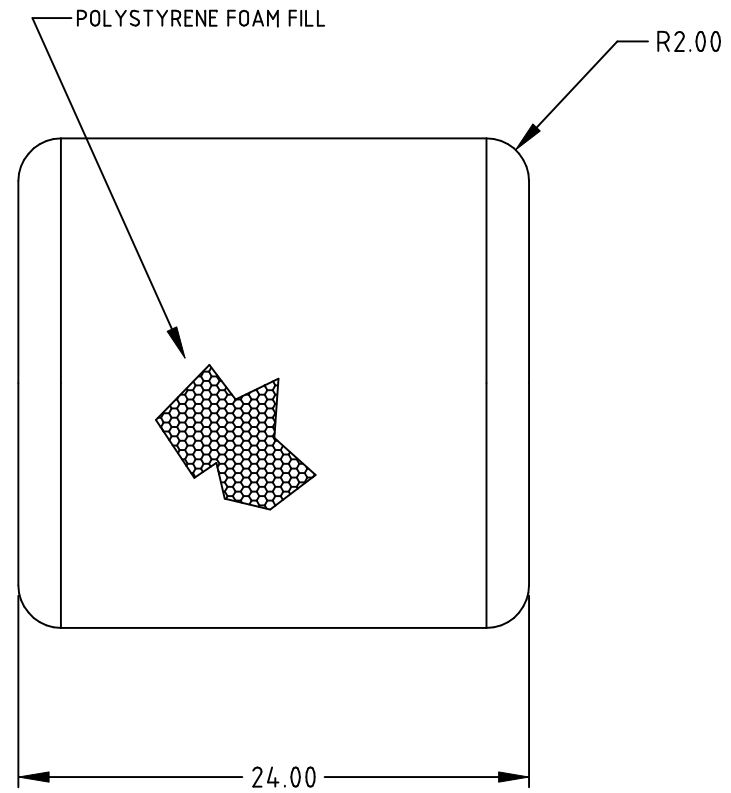
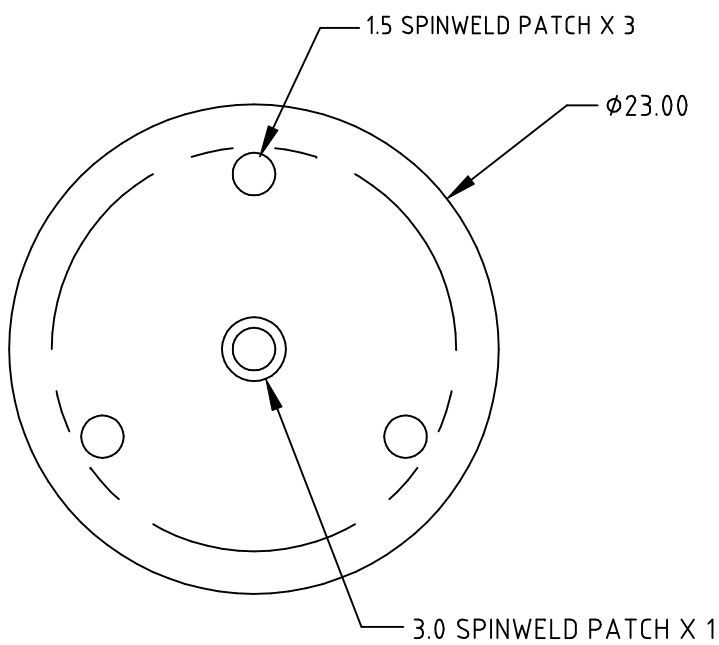



Copyright. All information furnished within this document, electronic file or design correspondence is the property of Den Hartog industries, Inc. and shall not be used, disclosed to others or copied without the expressed written consent of Den Hartog Industries, Inc.



		DRAWN / DATE		MATERIAL	
		DHJ 5/10/01		10548	
		APPRD. / DATE			
		REH 5/10/01			
REV	DESCRIPTION	BY / DATE	CCN	NOTES:	
ALL DIMENSIONS ARE IN DECIMAL INCHES TOLERANCES UNLESS OTHERWISE SPECIFIED		THIRD ANGLE PROJECTION ANSI 14.5M		SHOT WEIGHT: 15 LB.	
POLYETHYLENE				SHIPPING WEIGHT: 22 LB.	
METAL				FINISH:	
DECIMAL ± .125" FRACTION ± 1/4" ANGLE ± 1°					
±1% @ 68° F					



Den Hartog

INDUSTRIES, INC.
4010 HOSPERS DRIVE S. BOX 425, HOSPERS, IOWA 51238-0425

DESCRIPTION		23" DIA. BREAKWATER FLOAT	
SCALE	N.S.	PART NO.	FF2323-24RND