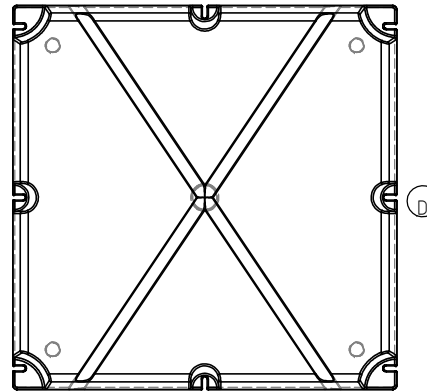
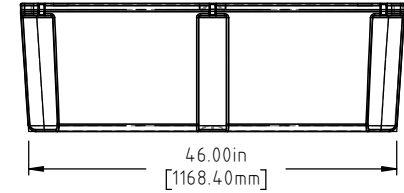
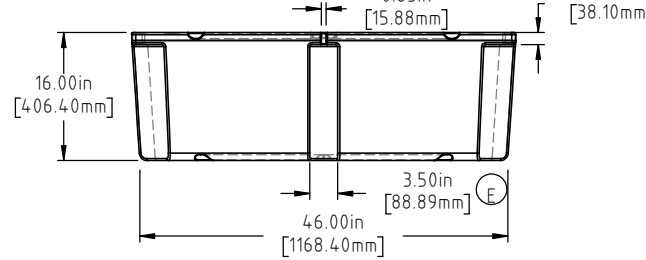
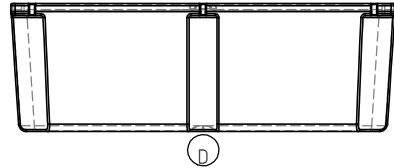
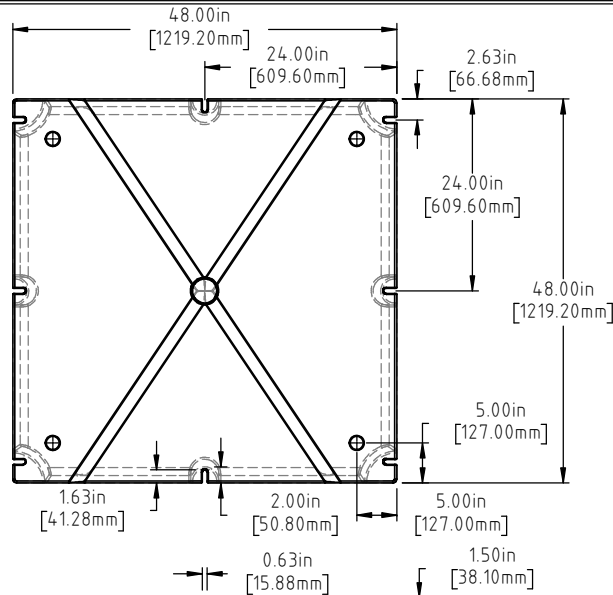


Copyright. All information furnished within this document, electronic file or design correspondence is the property of Den Hartog Industries, Inc. and shall not be used, disclosed to others or copied without the expressed written consent of Den Hartog Industries, Inc.

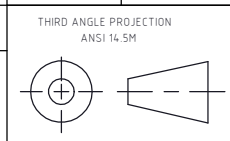


E	3.50" WAS 3.25"	ADH 11/16/16	3321
D	BOTTOM/SIDE VIEWS ADDED TO PRINT.	ADH 12/4/14	2971
C	67 LBS WAS 65 LBS, 1182 LBS WAS 1215 LBS	ADH 6/25/12	2420
B	METRIC DIMENSIONS ADDED	ADH 2/27/08	1685
A	ADD BUOYANCY NOTE	GWC 1/10/07	
A	CHANGE WEIGHTS AF WAS 42 FF WAS 73	GWC 1/10/07	
1	CHANGE WEIGHTS	11/16/94	
REV	DESCRIPTION	BY / DATE	CCN

DRAWN / DATE	MATERIAL
DEAN 4/18/94	POLYETHYLENE
APPRO. / DATE	
ADH 11/5/07	

NOTE: BUOYANCY IS 1182 LBS.(180.64 KG)

ALL DIMENSIONS ARE IN DECIMAL INCHES TOLERANCES UNLESS OTHERWISE SPECIFIED	
POLYETHYLENE	METAL DECIMAL ± .125" FRACTION ± 1/4" ANGLE ± 1°
±1% @ 68°F	



SHOT WEIGHT:	NOTES:
45 LBS. (20.41 KG.)	1.) AF 45 LBS. (20.41 KG.)
SHIPPING WEIGHT:	2.) FF 67 LBS. (30.39 KG.)
SEE NOTES	3.) 0.150 IN (3.81 mm) NOM.
FINISH:	WALL

DESCRIPTION	48 X 48 X 16 FLOAT
SCALE	N.S.
PART NO.	4848-16



Den Hartog
INDUSTRIES, INC.

Ace Roto-Mold Injection Molding Blow Molding Sowjoy

4010 HOSPERS DRIVE S. BOX 425, HOSPERS, IOWA 51238-0425