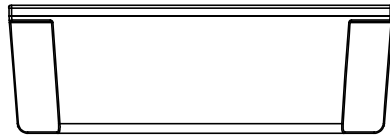
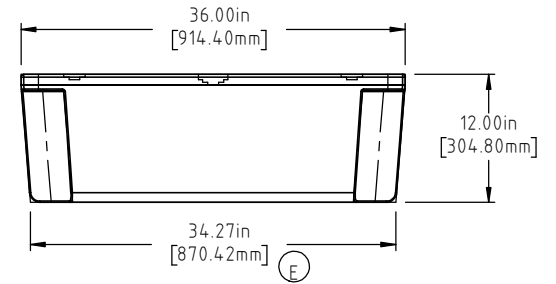
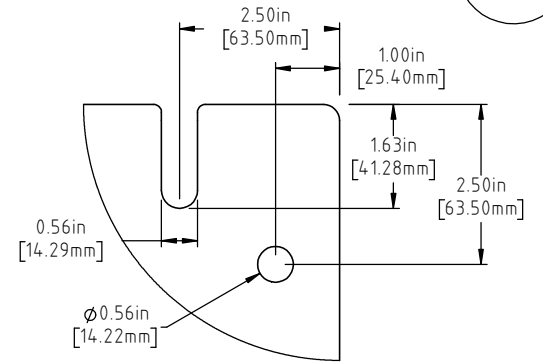
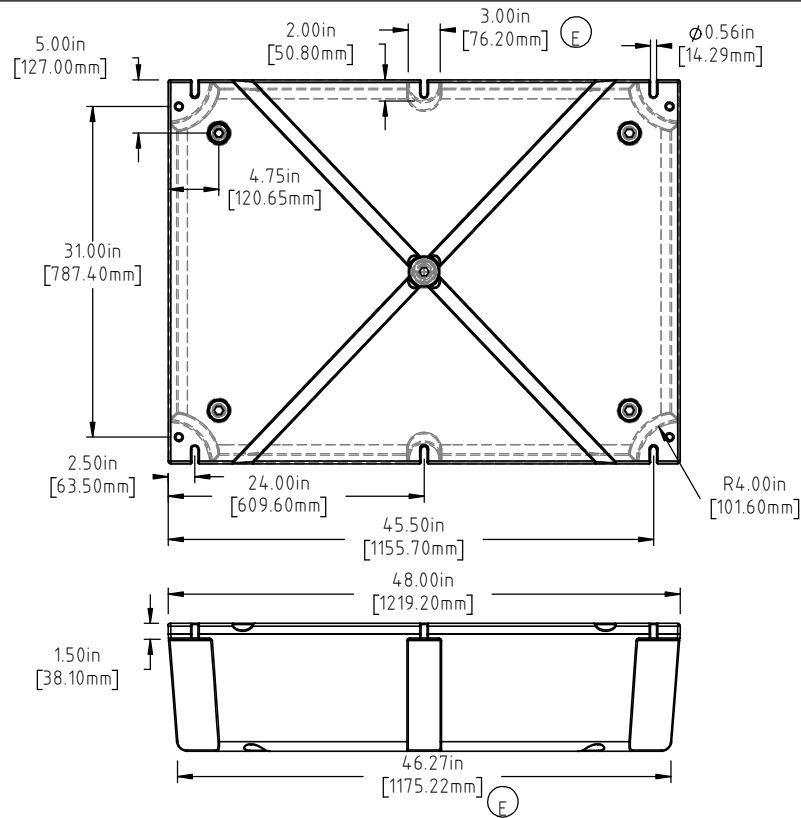


© DEN HARTOG INDUSTRIES, INC.

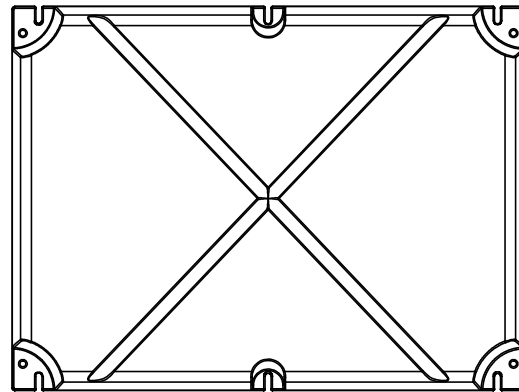
Copyright. All information furnished within this document, electronic file or design correspondence is the property of Den Hartog Industries, Inc. and shall not be used, disclosed to others or copied without the expressed written consent of Den Hartog Industries, Inc.

3648-12

E



D



D

E	3.00 WAS 3.25, 46.27 WAS 46.50, 34.27 WAS 34.25.	ADH 11/16/16	3321
D	BOTTOM AND SIDE VIEWS ADDED TO PRINT	ADH 12/4/14	2971
C	45 LBS WAS 43 LBS, 650 LBS WAS 656 LBS	ADH 6/20/12	2420
B	METRIC DIMENSIONS ADDED	ADH 6/16/08	1685
A	ADD BUOYANCY NOTE	GWC 1/8/07	
A	CHANGE WEIGHTS AF WAS 29 FF WAS 44	GWC 1/8/07	
1	CHANGE WEIGHTS	11/18/94	
REV	DESCRIPTION	BY / DATE	CCN

DRAWN / DATE	MATERIAL
DEAN 2/24/94	POLYETHYLENE E
APPRD. / DATE	
ADH 11/5/07	

A C

NOTE: BUOYANCY IS 650 LBS.(294.84 KG)



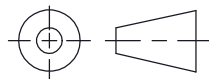
Den Hartog
INDUSTRIES, INC.

Ace Roto-Mold Injection Molding Blow Molding Sowjoy

4010 HOSPERS DRIVE S. BOX 425, HOSPERS, IOWA 51238-0425

ALL DIMENSIONS ARE IN DECIMAL INCHES TOLERANCES UNLESS OTHERWISE SPECIFIED	
POLYETHYLENE	METAL DECIMAL $\pm .125$ " FRACTION $\pm 1/4$ " ANGLE $\pm 1^\circ$
$\pm 1\%$ @ 68°F	

THIRD ANGLE PROJECTION ANSI 14.5M



SHOT WEIGHT: 32 LBS. (14.51 KG.)	NOTES: A C 1.) AF 32 LBS. (14.51 KG.) 2.) FF 45 LBS. (20.41 KG.) 3.) 0.150 IN (3.81 mm) NOM. WALL
SHIPPING WEIGHT: SEE NOTES	
FINISH:	

DESCRIPTION	36 X 48 X 12 FLOAT	
SCALE	N.S.	PART NO. 3648-12