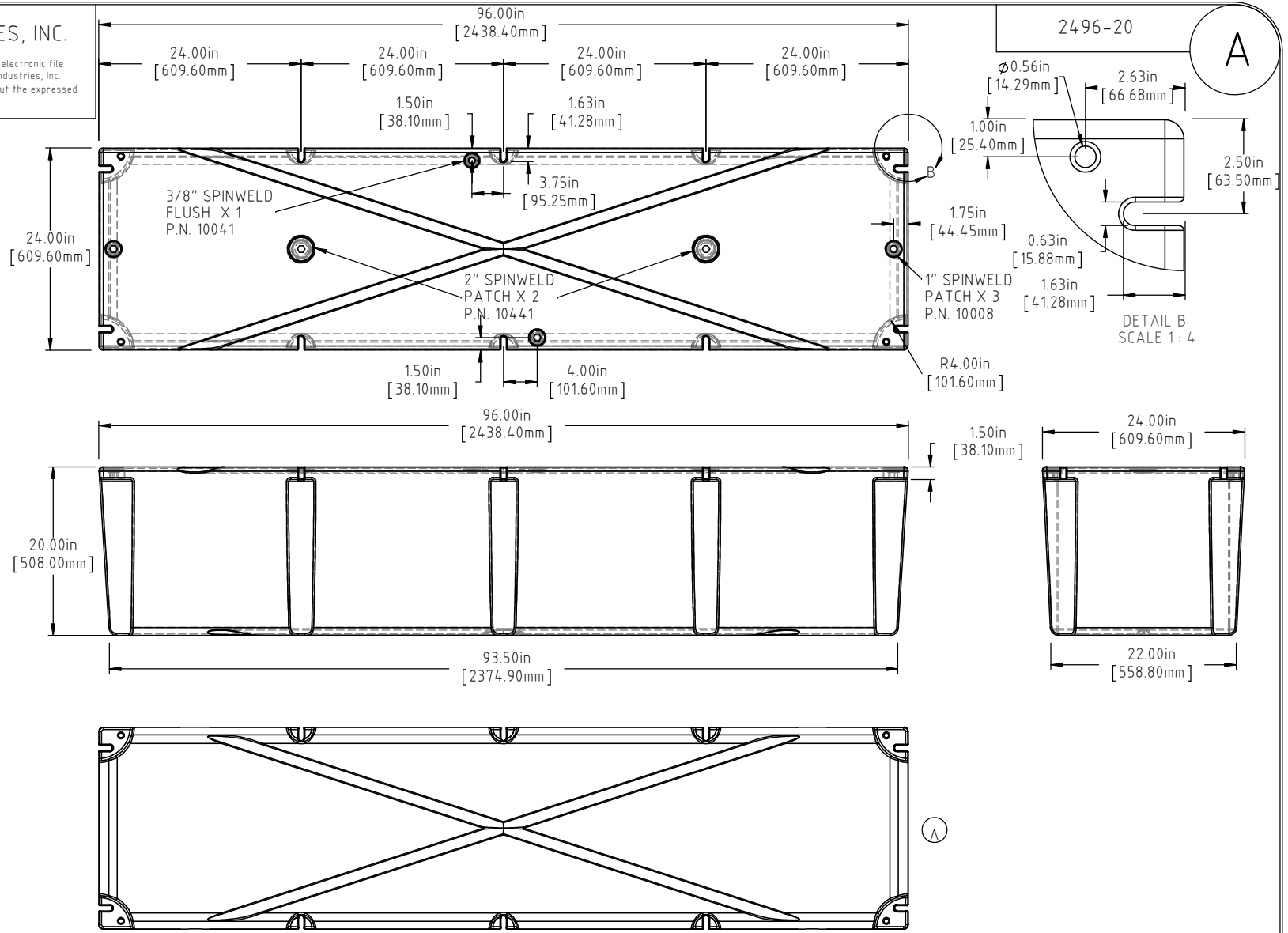



© DEN HARTOG INDUSTRIES, INC.

Copyright. All information furnished within this document, electronic file or design correspondence is the property of Den Hartog Industries, Inc. and shall not be used, disclosed to others or copied without the expressed written consent of Den Hartog Industries, Inc.



NOTE: BUOYANCY 1420 LBS.(644.1 KG.)

				DRAWN / DATE ADH 9/30/13	MATERIAL 10548 P.E.
A	BOTTOM AND SIDE VIEWS ADDED TO PRINT	ADH 12/4/14	2971	APPRO. / DATE REH 10/2/13	
REV	DESCRIPTION	BY / DATE	CCN		
ALL DIMENSIONS ARE IN DECIMAL INCHES TOLERANCES UNLESS OTHERWISE SPECIFIED		THIRD ANGLE PROJECTION ANSI 14.5M		SHOT WEIGHT: 60.00 LB.(27.16 KG.)	NOTES: 1.) AF= 60.00 LB.(27.16KG.) 2.) FF= 84.00 LB.(38.02 KG.) 3.) 0.180in (4.57mm) NOM. WALL
POLYETHYLENE ±1% @ 68°F		METAL DECIMAL ± .125" FRACTION ± 1/4" ANGLE ± 1°		SHIPPING WEIGHT: SEE NOTES	
		FINISH:			



Den Hartog

INDUSTRIES, INC.

Ace Roto-Mold Injection Molding Blow Molding Sowjoy

4010 HOSPERS DRIVE S. BOX 425, HOSPERS, IOWA 51238-0425

DESCRIPTION	24 x 96 x 20 FLOAT	
SCALE	N.S.	PART NO. 2496-20