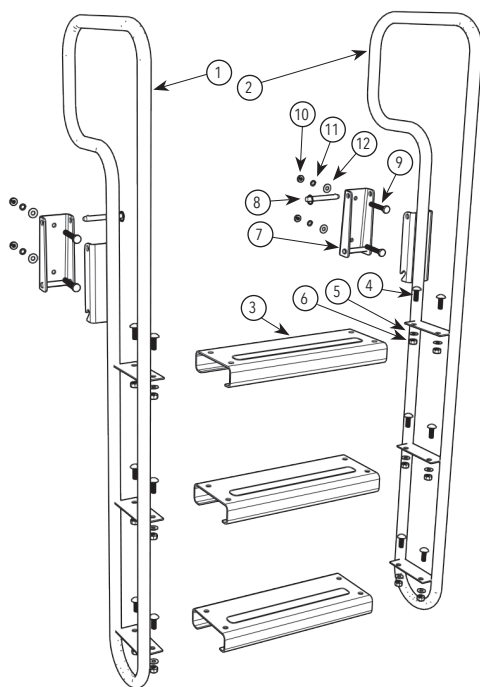


# Aluminum Swim Ladder

ITEM	QUANTITY	PART #	DESCRIPTION
1	1	WAT131801L	Ladder Handrail with bracket and tabs-Fixed;LH
2	1	WAT131801R	Ladder Handrail with bracket and tabs-Fixed;RH
3	3	AP191003	Ladder Steps
4	12	5002-309	Carriage Bolt, Stainless; 1/4"x1"
5	12	5058-014	Washer, Lock Stainless; 1/4"
6	12	5026-014	Hex Nut, Stainless; 1/4"
7	2	WAP191806	Ladder Dock Bracket, Aluminum
8	2	DP6400	Detent Pin; 1/2" x 4"
9	4	B850-498	Hex Bolt, Galvanized; 3/8" x 2 1/2"
10	4	B856-518	Washer, Lock Galvanized; 3/8"
11	4	B856-018	Hex Nut, Galvanized; 3/8"
12	4	ST100100	Washer Flat, Galvanized; 3/8" x 1 1/2" OD

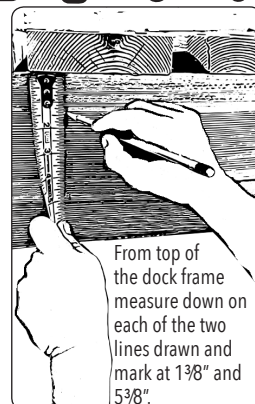
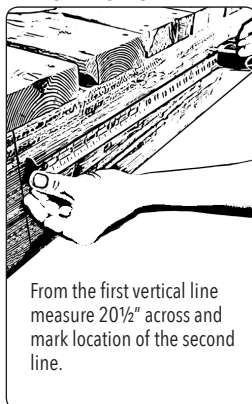
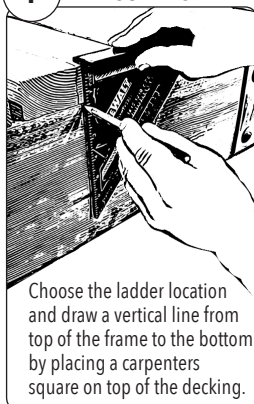


## ASSEMBLE THE LADDER

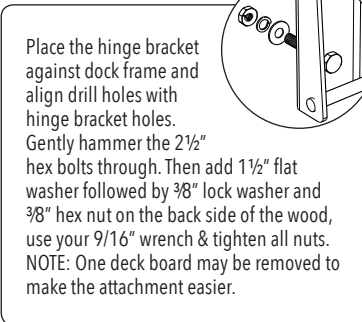
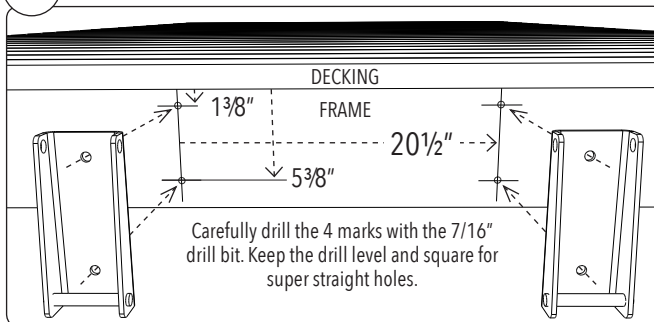
## TOOLS:



### 1 MEASURE FOR BRACKET BOLT HOLES



### 2 DRILL HOLES AND ATTACH BRACKETS



### 3 ATTACH LADDER

